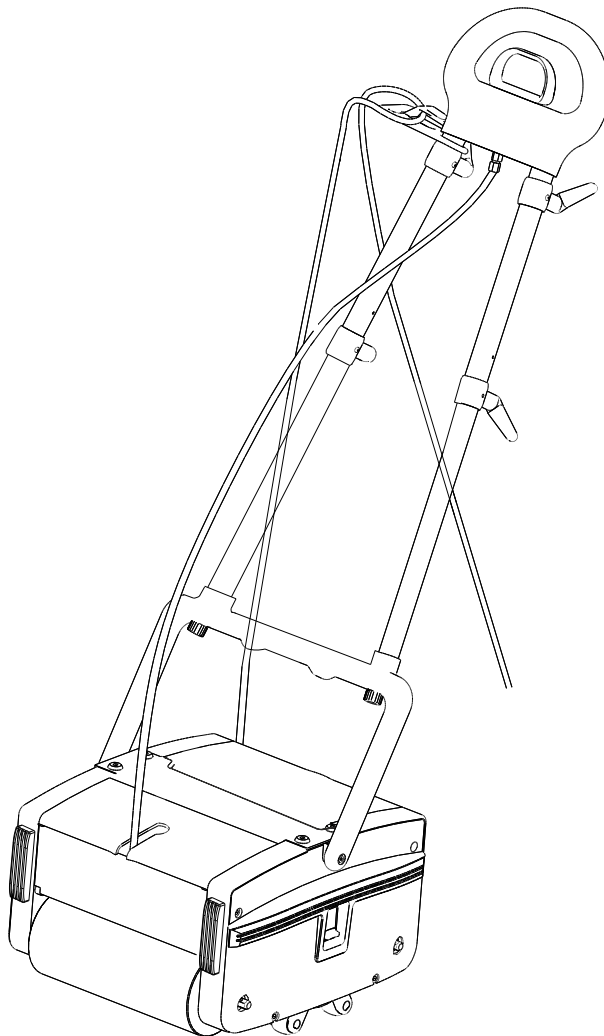




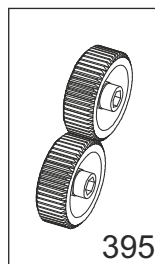
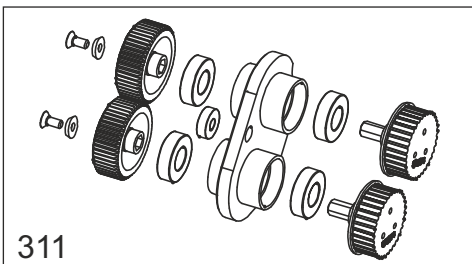
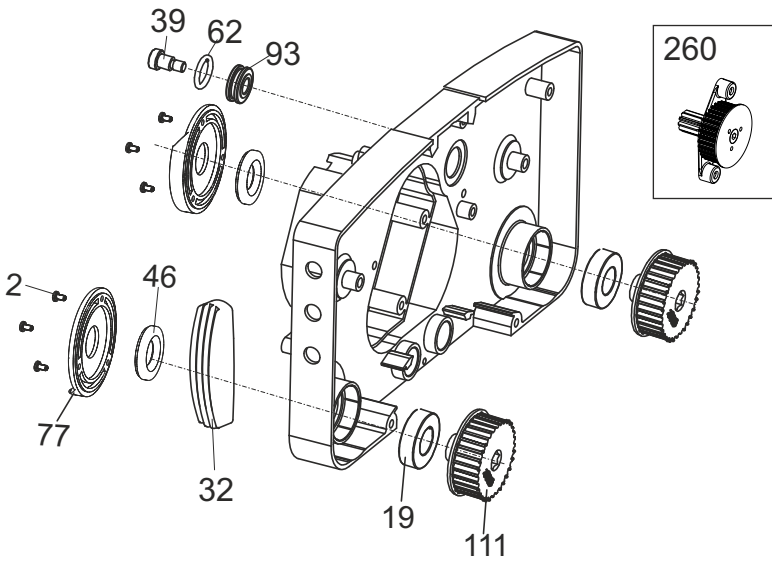
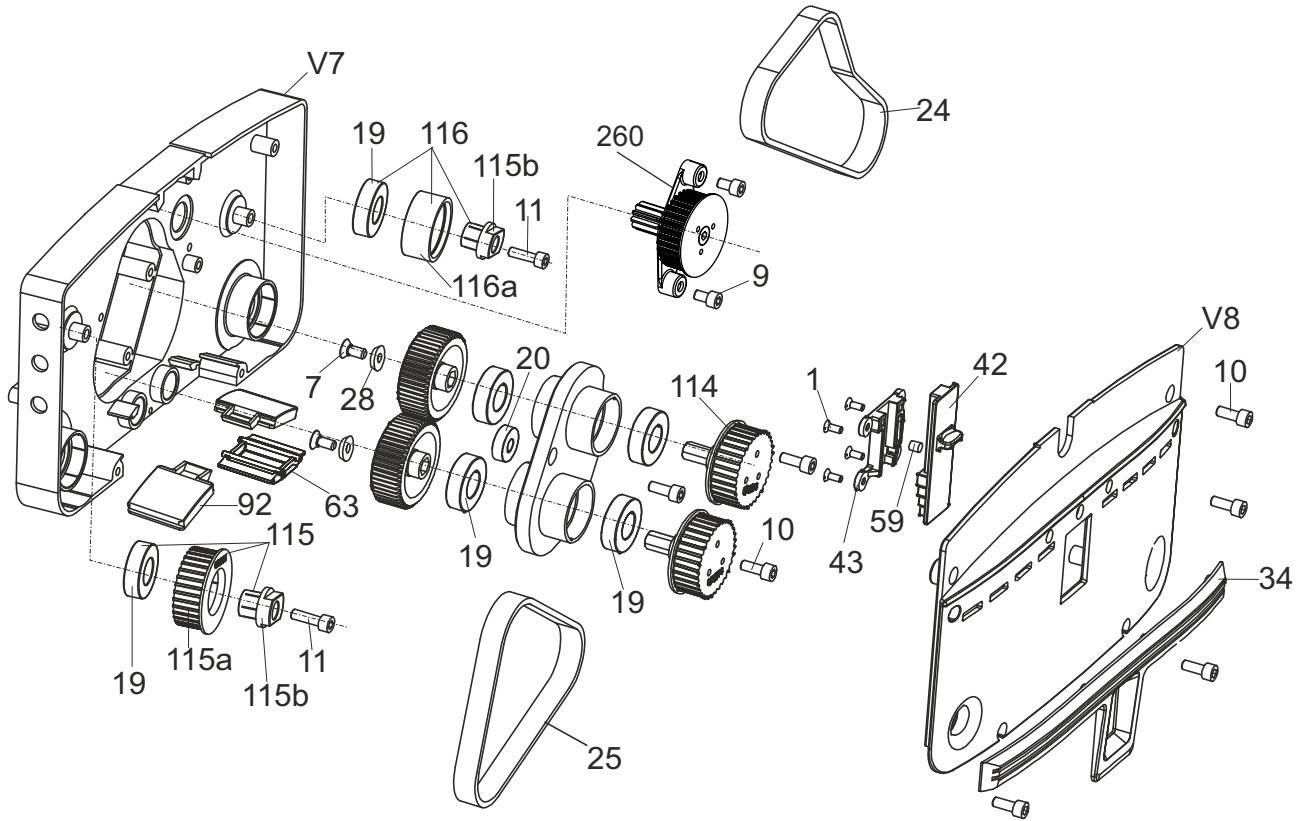
## Spare Parts List

MW240  
Series C



03-8276-0000  
Issue : 4

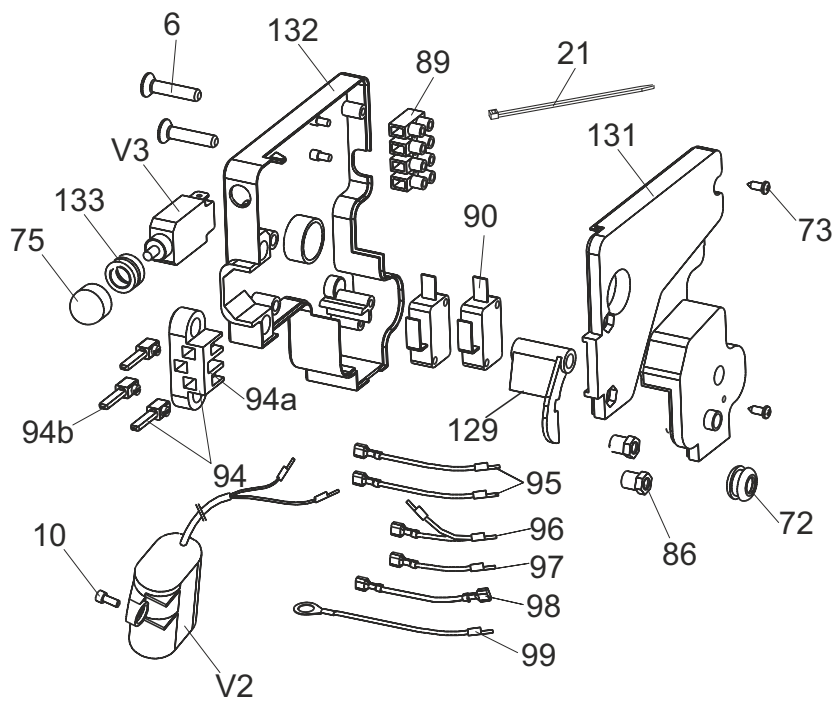
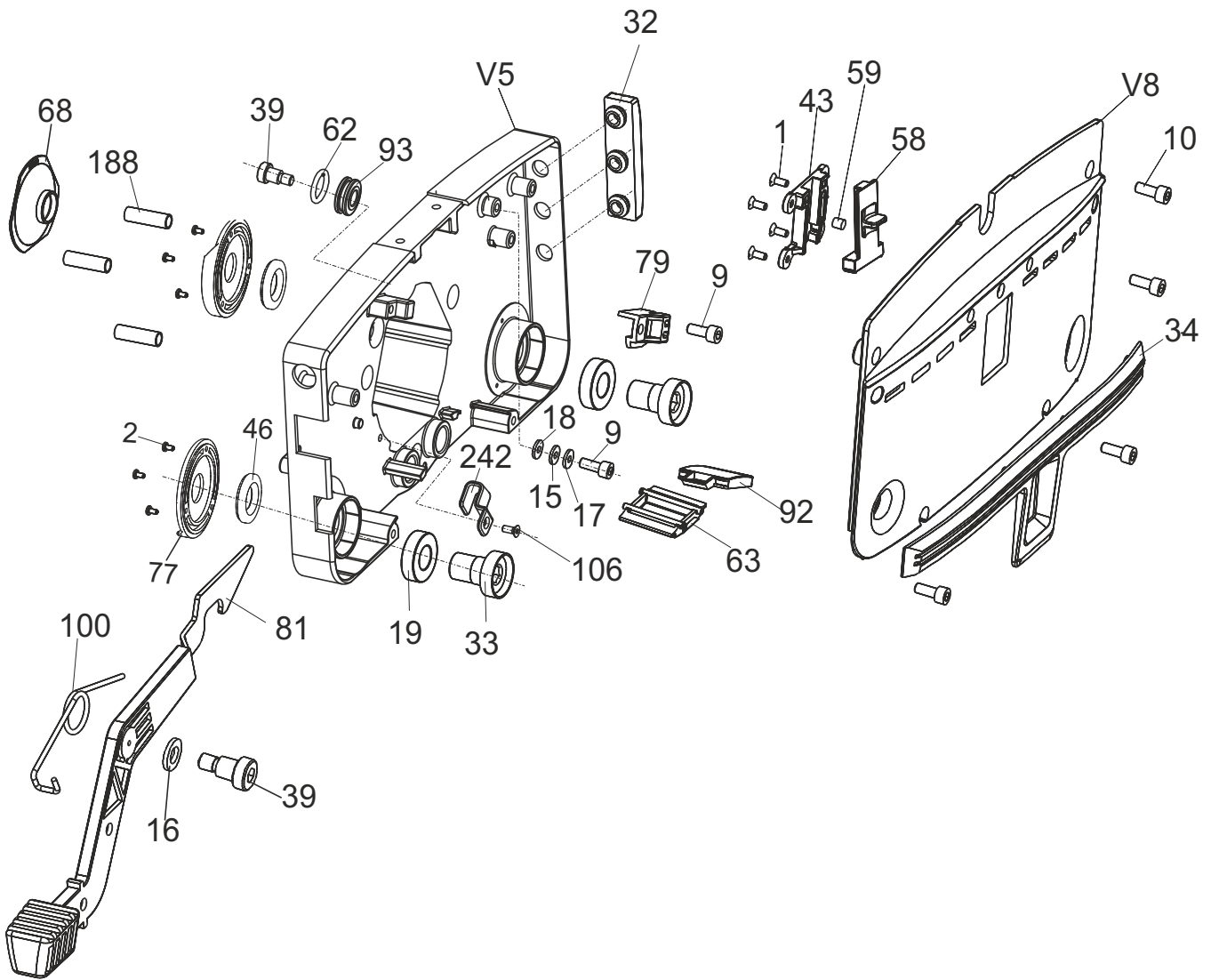
# Housing-Drive Side - MW 240



**NOTE:** Item no 9 is not included in assy 260.

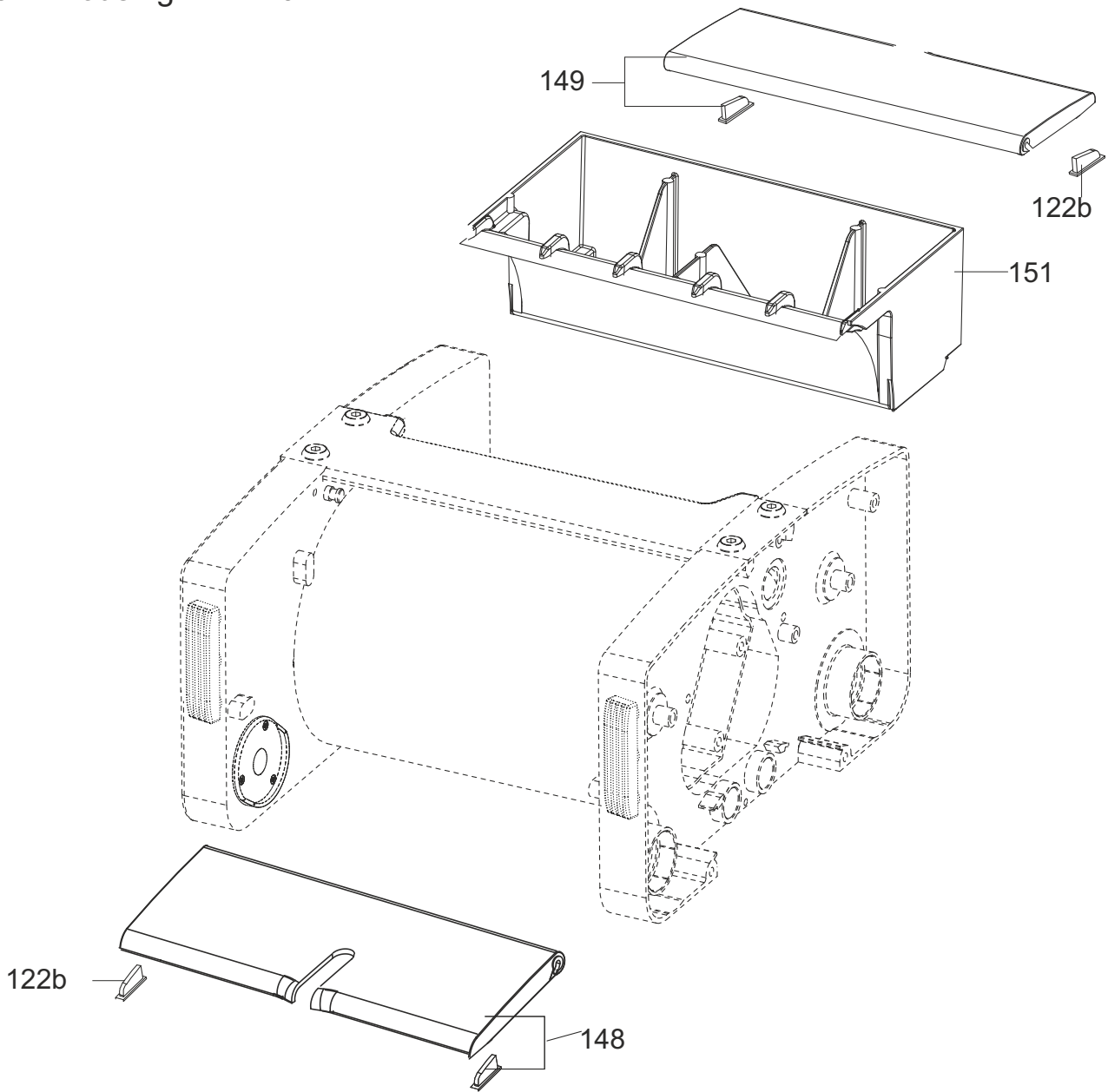
| SL.NO | PART NO      | DESCRIPTION                 | SIZE     | QTY |
|-------|--------------|-----------------------------|----------|-----|
| 1     | 90-0258-0000 | CSK SCREW                   | M4X10    | 4   |
| 2     | 90-0001-0000 | CRPH SCREW                  | M3X6     | 6   |
| 7     | 90-0143-0000 | CSK SCREW                   | M6X14    | 2   |
| 9     | 90-0293-0000 | ALLEN SCREW                 | M6X10    | 2   |
| 10    | 90-0144-0000 | ALLEN SCREW                 | M6X16    | 7   |
| 11    | 90-0005-0000 | ALLEN SCREW                 | M6X20    | 2   |
| 19    | 02-3847-0000 | BEARING                     | 6003 2RS | 8   |
| 20    | 90-0598-0000 | BUSH SHAFT MOTOR            |          | 1   |
| 24    | 90-0011-0000 | BELT                        | 500 5 M  | 1   |
| 25    | 90-0012-0000 | BELT                        | 425 5 M  | 1   |
| 28    | 90-0152-0000 | WASHER                      |          | 2   |
| 32    | 90-0154-0000 | BUMPER FRONT                |          | 1   |
| 34    | 90-0156-0000 | BUMPER COVER                |          | 1   |
| 39    | 90-0154-0000 | STUB AXLE                   |          | 1   |
| 42    | 90-0024-0000 | BRUSH SLIDER                |          | 1   |
| 43    | 90-0025-0000 | SLIDER HOUSING              |          | 1   |
| 46    | 90-0027-0000 | SEAL                        |          | 2   |
| 59    | 90-0035-0000 | PIN                         |          | 1   |
| 62    | 90-0176-0000 | O' RING                     |          | 1   |
| 63    | 90-0040-0000 | SHIELD                      |          | 1   |
| 77    | 90-0020-0000 | CAP                         |          | 2   |
| 92    | 90-0267-0000 | SHIELD                      |          | 2   |
| 93    | 90-0294-0000 | ROLLER                      |          | 1   |
| 111   | 90-0061-0000 | BRUSH SPROCKET              |          | 2   |
| 114   | 90-0063-0000 | GEAR SPROCKET               |          | 2   |
| 115   | 90-0065-0000 | IDLER ASSY                  |          | 1   |
| 115a  | 90-0169-0000 | SPROCKET                    |          | 1   |
| 115b  | 90-0161-0000 | HUB                         |          | 2   |
| 116   | 90-0197-0000 | IDLER ASSY                  |          | 1   |
| 116a  | 90-0166-0000 | SLEEVE                      |          | 1   |
| 260   | 90-0499-0000 | DRUM PINION ASSY            |          | 1   |
| 311   | 90-0651-0000 | HOUSING ASSY - GEAR SUPPORT |          | 1   |
| 395   | 90-0650-0000 | GEAR - LH & RH NEW - KIT    |          | 1   |
| V7    | 90-0330-0000 | DRIVE HOUSING               |          | 1   |
| V8    | 90-0126-0000 | COVER                       |          | 1   |

# Housing-Idle Side - MW240

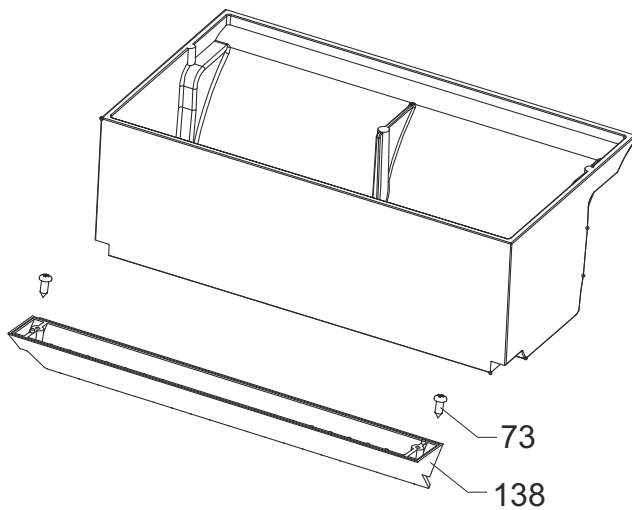


| SL.NO | PART NO      | DESCRIPTION            | SIZE       | QTY |
|-------|--------------|------------------------|------------|-----|
| 1     | 90-0258-0000 | CSK SCREW              | M4X10      | 4   |
| 2     | 90-0001-0000 | CRPH SCREW             | M3X6       | 6   |
| 6     | 90-0261-0000 | CSK SCREW              | M5X25      | 2   |
| 9     | 90-0293-0000 | ALLEN SCREW            | M6X10      | 1   |
| 10    | 90-0144-0000 | ALLEN SCREW            | M6X16      | 6   |
| 15    | 90-0147-0000 | WASHER                 | 6.4X12X1.6 | 1   |
| 16    | 90-0395-0000 | WASHER                 | 9X17X1.6   | 1   |
| 17    | 90-0298-0000 | SPRING WASHER          | M6         | 1   |
| 18    | 90-0148-0000 | TOOTHED WASHER         | M6         | 1   |
| 19    | 02-3847-0000 | BEARING                | 6003 2RS   | 2   |
| 21    | 90-0149-0000 | WIRE TIE               |            | 2   |
| 32    | 90-0154-0000 | BUMPER                 |            | 1   |
| 33    | 90-0155-0000 | BUSH                   |            | 2   |
| 34    | 90-0156-0000 | BUMPER                 |            | 1   |
| 39    | 90-0123-0000 | STUB AXLE              |            | 1   |
| 43    | 90-0025-0000 | SLIDER HOUSING         |            | 1   |
| 46    | 90-0027-0000 | SEAL                   |            | 2   |
| 58    | 90-0033-0000 | TRANSPORT SLIDER       |            | 1   |
| 59    | 90-0035-0000 | PIN                    |            | 1   |
| 62    | 90-0176-0000 | O' RING                |            | 1   |
| 63    | 90-0040-0000 | SHIELD                 |            | 1   |
| 68    | 90-0179-0000 | FAN COVER              |            | 1   |
| 72    | 90-0045-0000 | GROMMET                |            | 1   |
| 73    | 90-0183-0000 | SELF TAPPING SCREW     |            | 2   |
| 75    | 90-0048-0000 | CAP                    |            | 1   |
| 77    | 90-0020-0000 | CAP                    |            | 2   |
| 79    | 90-0188-0000 | STOPPER                |            | 1   |
| 81    | 90-0259-0000 | PEDAL                  |            | 1   |
| 86    | 90-0297-0000 | NUT                    |            | 2   |
| 89    | 90-0269-0000 | CONNECTOR              |            | 1   |
| 90    | 90-0283-0000 | SWITCH                 |            | 2   |
| 92    | 90-0267-0000 | SHIELD                 |            | 1   |
| 93    | 90-0294-0000 | ROLLER                 |            | 1   |
| 94    | 90-0290-0000 | SOCKET ASSY            |            | 1   |
| 94a   | 90-0291-0000 | SOCKET                 |            | 1   |
| 94b   | 90-0292-0000 | TERMINAL               |            | 3   |
| 95    | 90-0278-0000 | CABLE                  |            | 2   |
| 96    | 90-0279-0000 | CABLE                  |            | 1   |
| 97    | 90-0280-0000 | CABLE                  |            | 1   |
| 98    | 90-0281-0000 | CABLE                  |            | 1   |
| 99    | 90-0282-0000 | CABLE                  |            | 1   |
| 100   | 90-0260-0000 | SPRING-PEDAL           |            | 1   |
| 129   | 90-0265-0000 | LEVER SWITCH ACT       |            | 1   |
| 131   | 90-0262-0000 | INSULATION TOP         |            | 1   |
| 132   | 90-0263-0000 | INSULATION BOTTOM      |            | 1   |
| 133   | 90-0295-0000 | NUT                    |            | 1   |
| 188   | 90-0397-0000 | SLEEVE TIE ROD         |            | 3   |
| V2    | 90-0272-0000 | CAPACITOR (13 MFD)     |            | 1   |
| V3    | 90-0056-0000 | CIRCUIT BREAKER (3.5A) |            | 1   |
| V5    | 90-0329-0000 | IDLE HOUSING           |            | 1   |
| V8    | 90-0126-0000 | COVER                  |            | 1   |

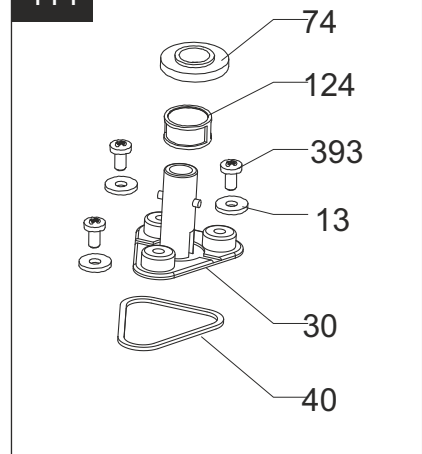
# Tank Housing-MW240



## 145

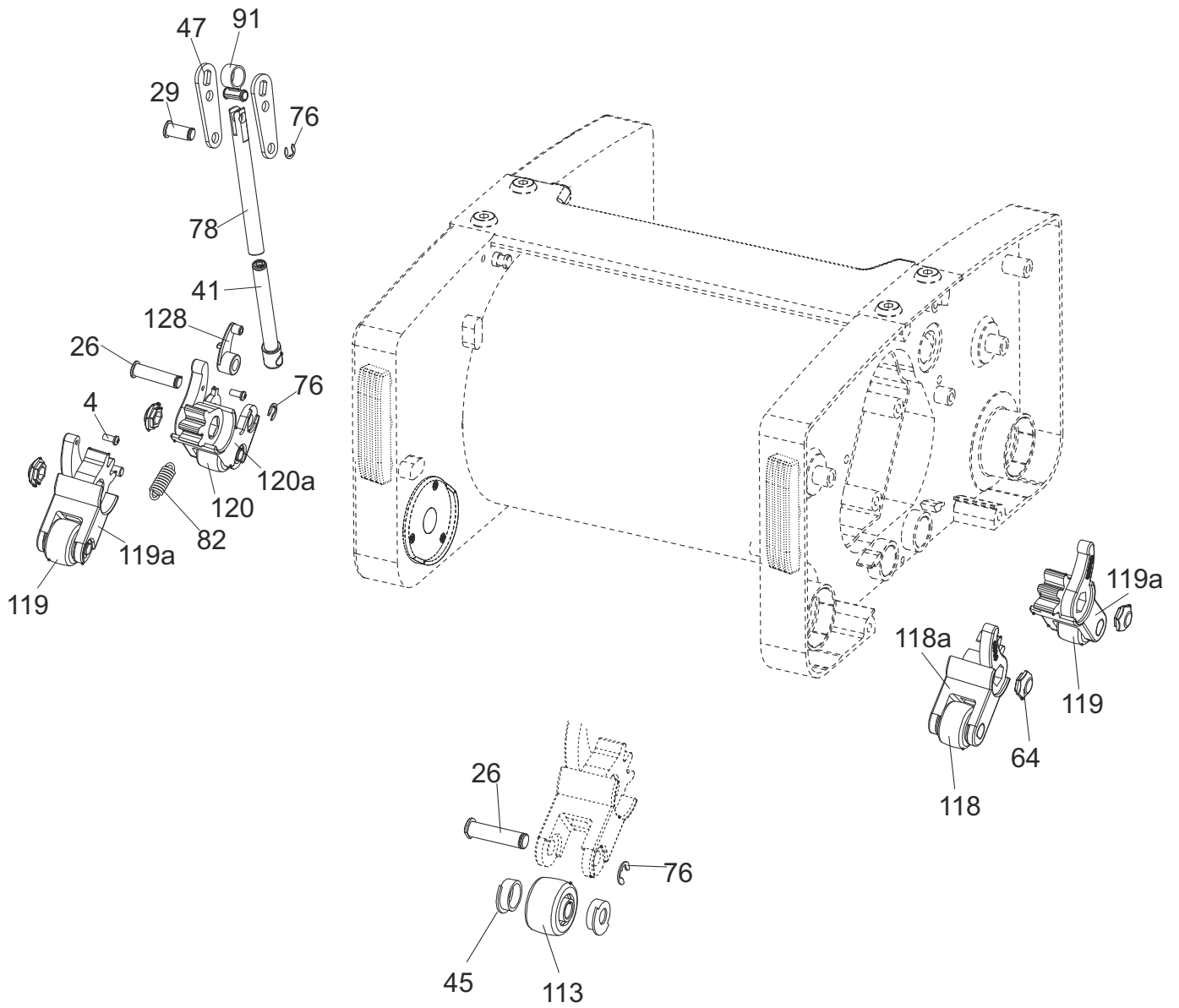


## 414



| SL.NO | PART NO      | DESCRIPTION                | SIZE       | QTY |
|-------|--------------|----------------------------|------------|-----|
| 13    | 90-0007-0000 | WASHER                     | 4.2X12X1.6 | 3   |
| 30    | 90-0016-0000 | VALVE BODY                 |            | 1   |
| 40    | 90-0023-0000 | GASKET                     |            | 1   |
| 73    | 90-0183-0000 | SELF TAPPING SCREW         |            | 2   |
| 74    | 90-0047-0000 | SPACER                     |            | 1   |
| 122b  | 90-0055-0000 | LID PAD                    |            | 4   |
| 124   | 90-0076-0000 | FILTER                     |            | 1   |
| 138   | 90-0091-0000 | CHANNEL-TANK               |            | 1   |
| 145   | 90-0106-0000 | TANK ASSY COMPLETE - FW240 |            | 1   |
| 148   | 90-0108-0000 | LID ASSY-FRESH WATER       |            | 1   |
| 149   | 90-0109-0000 | LID ASSY-DIRTY WATER       |            | 1   |
| 151   | 90-0237-0000 | DIRTY WATER TANK           |            | 1   |
| 393   | 90-0653-0000 | CR PAN HEAD SCREW SS304    | M4X10      | 3   |
| 414   | 05-3704-0000 | VALVE KIT - 24N/34N        |            | 1   |

# Lever and Guide Link Mechanism - MW240





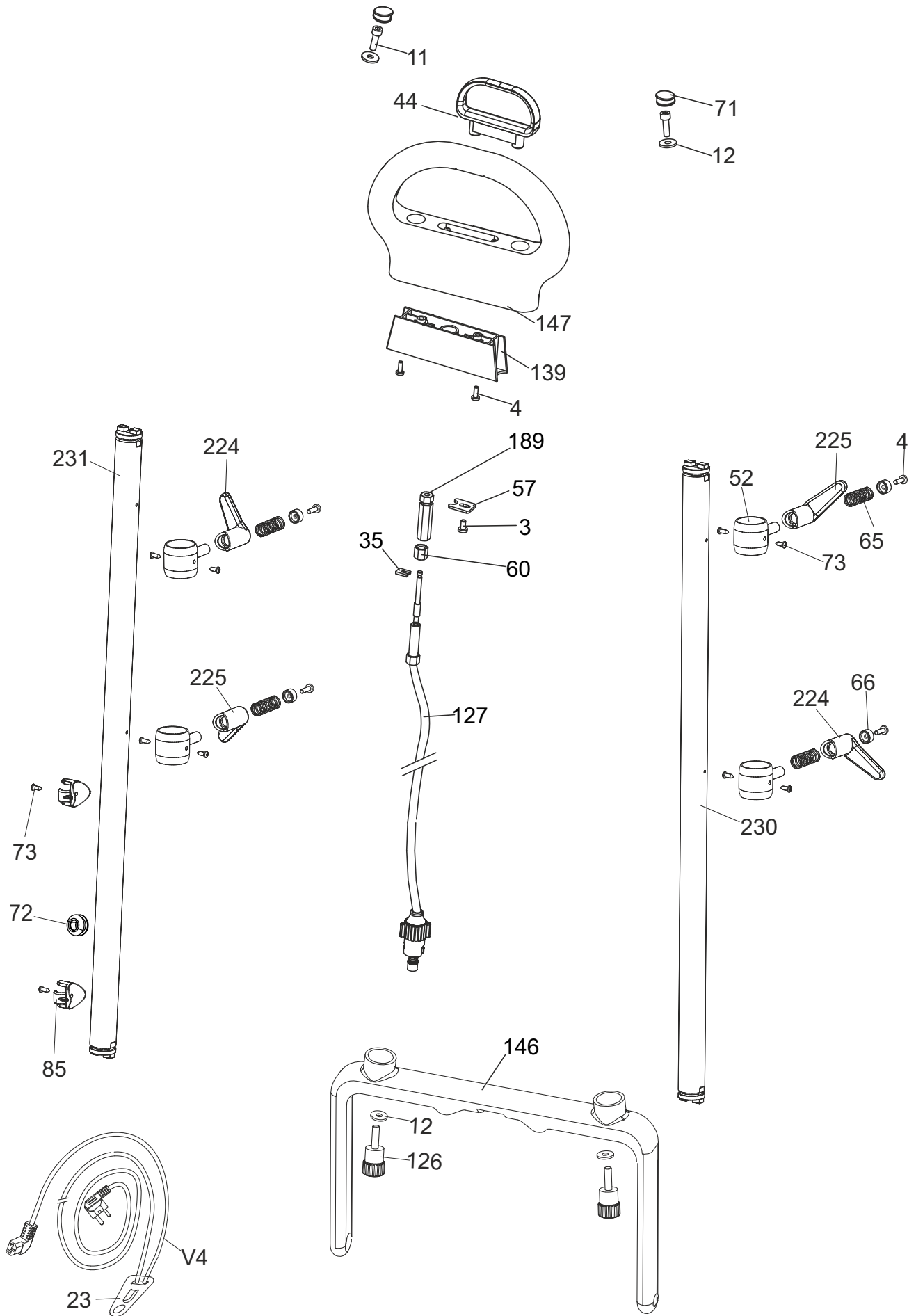
---

## Lever and Guide Link Mechanism - MW240

---

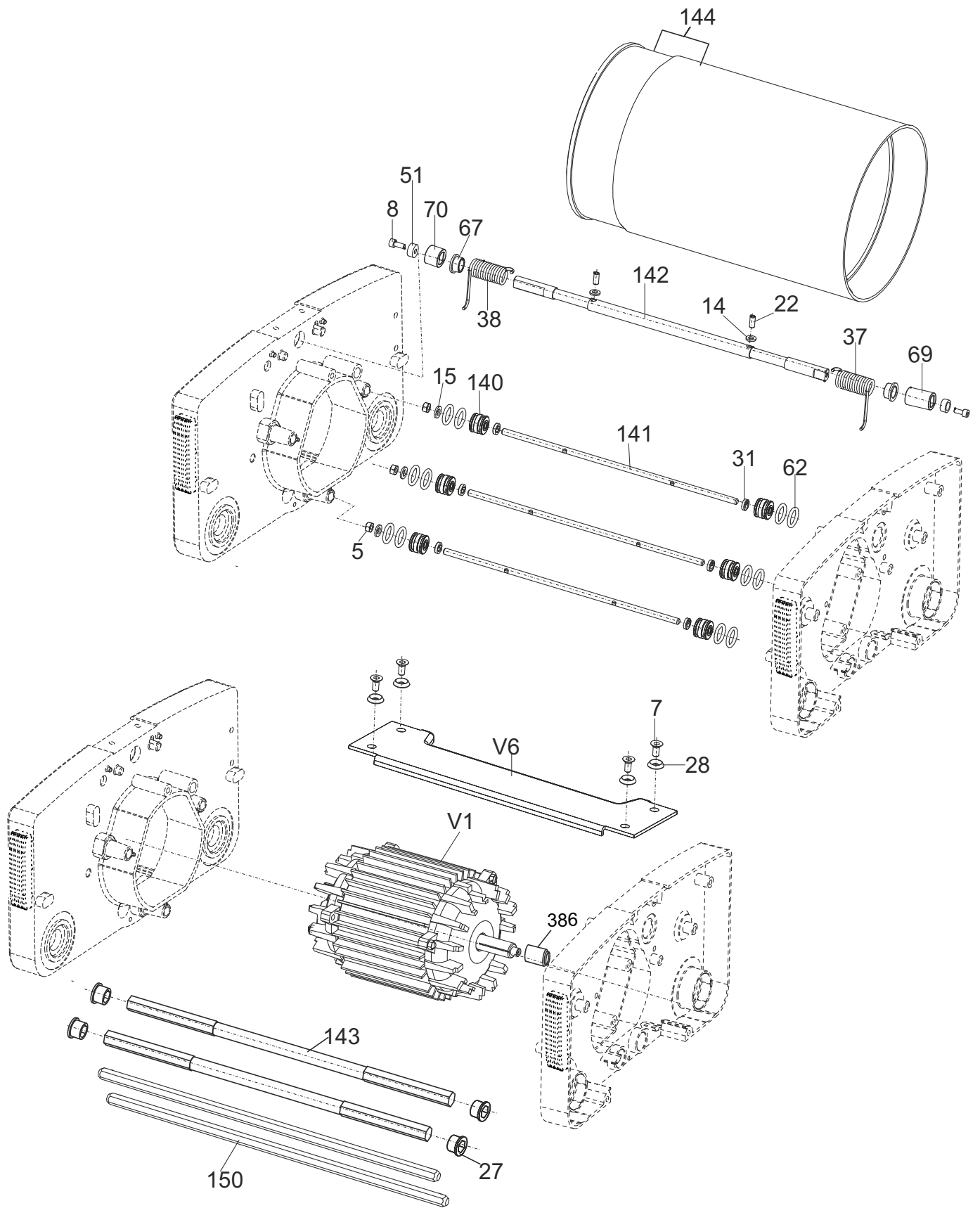
| SL.NO | PART NO      | DESCRIPTION  | SIZE  | QTY |
|-------|--------------|--------------|-------|-----|
| 4     | 90-0046-0000 | CRPH SCREW   | M4X12 | 2   |
| 26    | 90-0151-0000 | CLEVIS PIN   |       | 5   |
| 29    | 90-0153-0000 | CLEVIS PIN   |       | 1   |
| 41    | 90-0159-0000 | LINK         |       | 1   |
| 45    | 90-0162-0000 | SHIELD       |       | 8   |
| 47    | 90-0163-0000 | LEVER        |       | 2   |
| 64    | 90-0177-0000 | LEVER BUTTON |       | 4   |
| 76    | 90-0051-0000 | CIRCLIP      |       | 6   |
| 78    | 90-0186-0000 | LINK GUIDE   |       | 1   |
| 82    | 90-0284-0000 | SPRING       |       | 1   |
| 91    | 90-0257-0000 | BUSH         |       | 1   |
| 113   | 90-0196-0000 | WHEEL        |       | 4   |
| 118   | 90-0068-0000 | LEVER ASSY   |       | 1   |
| 118a  | 90-0173-0000 | LEVER        |       | 1   |
| 119   | 90-0069-0000 | LEVER ASSY   |       | 2   |
| 119a  | 90-0174-0000 | LEVER        |       | 2   |
| 120   | 90-0070-0000 | LEVER ASSY   |       | 1   |
| 120a  | 90-0175-0000 | LEVER        |       | 1   |
| 128   | 90-0266-0000 | LEVER SWITCH |       | 1   |

# Handle Assembly-MW240



| SL.NO | PART NO      | DESCRIPTION          | SIZE     | QTY |
|-------|--------------|----------------------|----------|-----|
| 3     | 90-0002-0000 | CRPH SCREW           | M4x8     | 1   |
| 4     | 90-0046-0000 | CRPH SCREW           | M4x12    | 10  |
| 11    | 90-0005-0000 | ALLEN SCREW          | M6x20    | 2   |
| 12    | 90-0006-0000 | WASHER               | 6.4x18x2 | 4   |
| 23    | 02-3152-0000 | CABLE RETAINER       |          | 1   |
| 35    | 90-0018-0000 | CLAMP                |          | 1   |
| 44    | 90-0026-0000 | PULL HANDLE          |          | 1   |
| 52    | 90-0168-0000 | BASE-CABLE HOLDER    |          | 2   |
| 57    | 90-0032-0000 | CLAMP                |          | 1   |
| 60    | 90-0038-0000 | NUT                  |          | 1   |
| 65    | 90-0041-0000 | SPRING               |          | 6   |
| 66    | 90-0042-0000 | WASHER               |          | 6   |
| 71    | 90-0044-0000 | PLUG                 |          | 2   |
| 72    | 90-0045-0000 | GROMMET              |          | 1   |
| 73    | 90-0183-0000 | SELF TAPPING SCREW   |          | 10  |
| 85    | 90-0050-0000 | GUIDE                |          | 2   |
| 127   | 90-0234-0000 | PULL CABLE           |          | 1   |
| 139   | 90-0207-0000 | CAP                  |          | 1   |
| 147   | 90-0233-0000 | TOP HANDLE           |          | 1   |
| 126   | 90-0296-0000 | KNOB                 |          | 2   |
| 146   | 90-0232-0000 | BOTTOM HANDLE        |          | 1   |
| 189   | 90-0465-0000 | SLEEVE               |          | 1   |
| 224   | 90-0402-0000 | KNOB-CABLE HOLDER-II |          | 2   |
| 225   | 90-0429-0000 | KNOB-CABLE HOLDER-I  |          | 2   |
| 230   | 90-0451-0000 | PIPE-LH              |          | 1   |
| 231   | 90-0452-0000 | PIPE-RH              |          | 1   |
| V4    | 90-0299-0000 | POWER CORD (UK)      |          | 1   |
| V4    | 90-0273-0000 | POWER CORD (EURO)    |          | 1   |

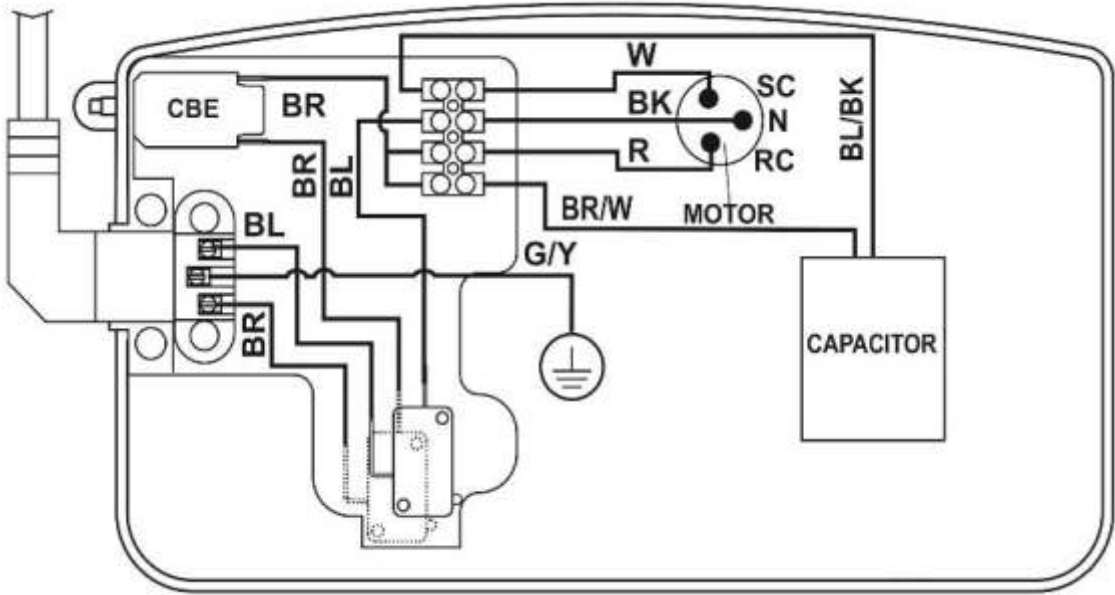
# Motor, Drum and Bridge Assembly-MW240



---

| SL.NO | PART NO      | DESCRIPTION             | SIZE       | QTY |
|-------|--------------|-------------------------|------------|-----|
| 5     | 90-0142-0000 | HEX NUT                 | M6         | 3   |
| 7     | 90-0143-0000 | CSK SCREW               | M6X14      | 4   |
| 8     | 90-0004-0000 | ALLEN SCREW             | M4X10      | 2   |
| 14    | 90-0146-0000 | WASHER                  | 5.2X10X1.6 | 2   |
| 15    | 90-0147-0000 | WASHER                  | 6.4X12X1.6 | 3   |
| 22    | 90-0150-0000 | GRUB SCREW              | M5X12      | 2   |
| 27    | 90-0015-0000 | BUSH                    |            | 4   |
| 28    | 90-0152-0000 | WASHER BRIDGE           |            | 4   |
| 31    | 90-0017-0000 | WASHER                  |            | 6   |
| 37    | 90-0157-0000 | SPRING                  |            | 1   |
| 38    | 90-0158-0000 | SPRING                  |            | 1   |
| 51    | 90-0030-0000 | WASHER                  |            | 2   |
| 62    | 90-0176-0000 | O' RING                 |            | 12  |
| 67    | 90-0178-0000 | BUSH                    |            | 2   |
| 69    | 90-0180-0000 | BUSH                    |            | 1   |
| 70    | 90-0181-0000 | BUSH                    |            | 1   |
| 140   | 90-0215-0000 | ROLLER                  |            | 6   |
| 141   | 90-0097-0000 | TIE ROD                 |            | 3   |
| 142   | 90-0098-0000 | SHAFT                   |            | 1   |
| 143   | 90-0216-0000 | HEX SHAFT               |            | 1   |
| 144   | 90-0305-0000 | DRUM ASSY               |            | 1   |
| 150   | 90-0114-0000 | BRUSH SHAFT             |            | 2   |
| 386   | 90-0654-0000 | SHIELD SHAFT MOTOR - 24 |            | 1   |
| V1    | 90-0271-0000 | MOTOR (230V, 50Hz)      |            | 1   |
| V6    | 90-0245-0000 | BRIDGE                  |            | 1   |

Electrical Schematic Diagram



Electrical layout for N/T model

---